

Note: This drawing is an artistic interpretation of the general appearance of the design. It is not meant to be an exact rendition.



Designed: 8/19/2012  
Printed: 9/20/2012





Note: This drawing is an artistic interpretation of the general appearance of the design. It is not meant to be an exact rendition.



Designed: 8/19/2012  
Printed: 9/20/2012



Note: This drawing is an artistic interpretation of the general appearance of the design. It is not meant to be an exact rendition.



Designed: 8/19/2012  
Printed: 9/20/2012

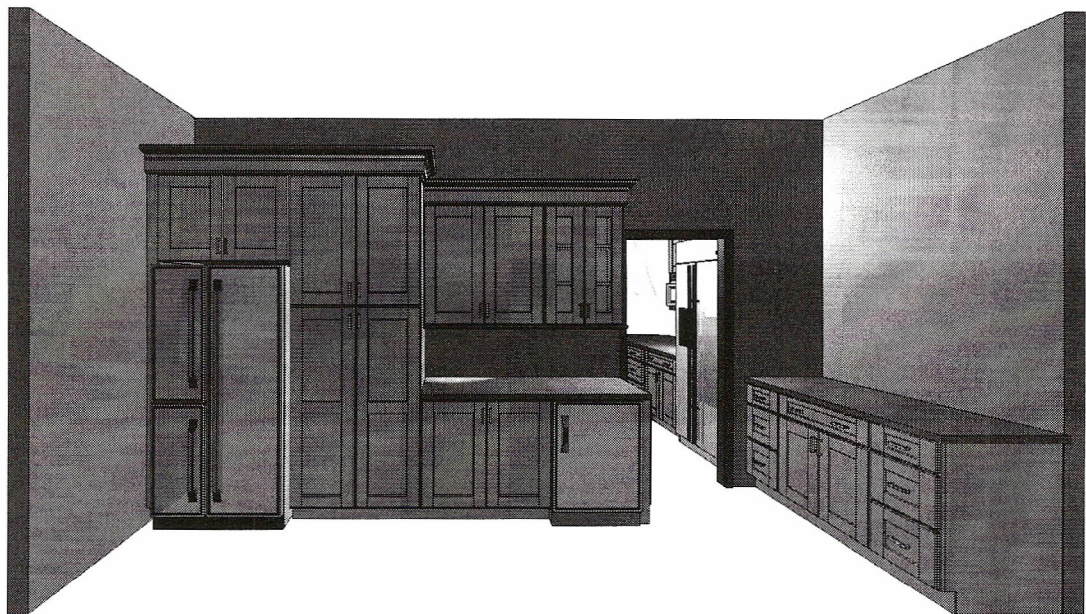




Note: This drawing is an artistic interpretation of the general appearance of the design. It is not meant to be an exact rendition.



Designed: 8/19/2012  
Printed: 9/20/2012

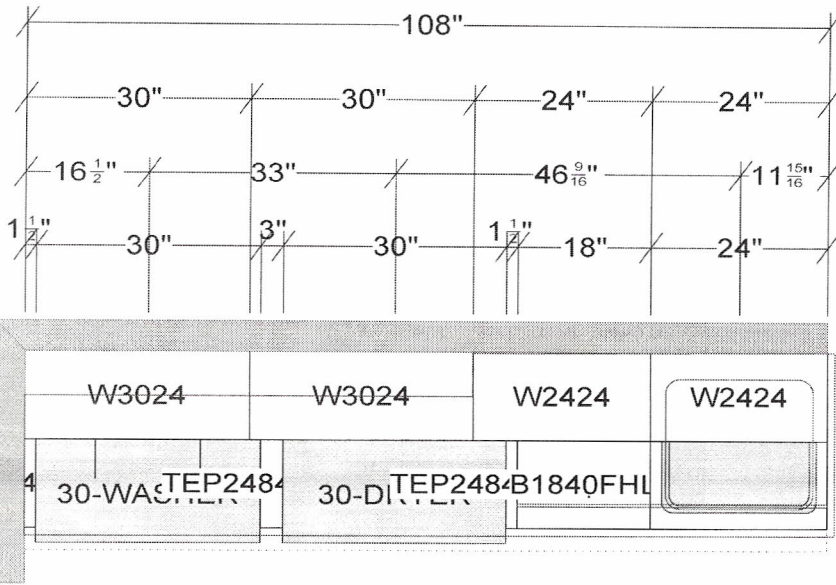


Note: This drawing is an artistic interpretation of the general appearance of the design. It is not meant to be an exact rendition.

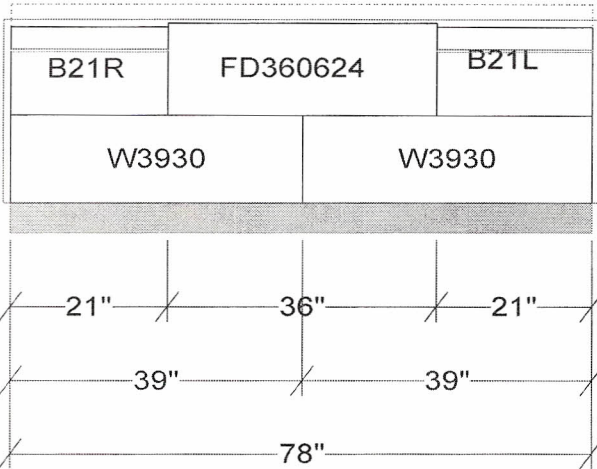
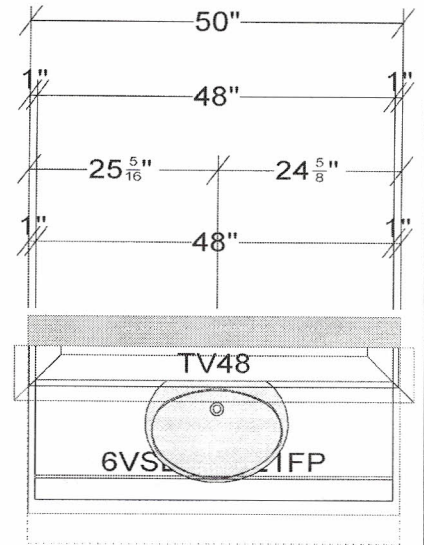


Designed: 8/19/2012  
Printed: 9/20/2012





B2440FHR



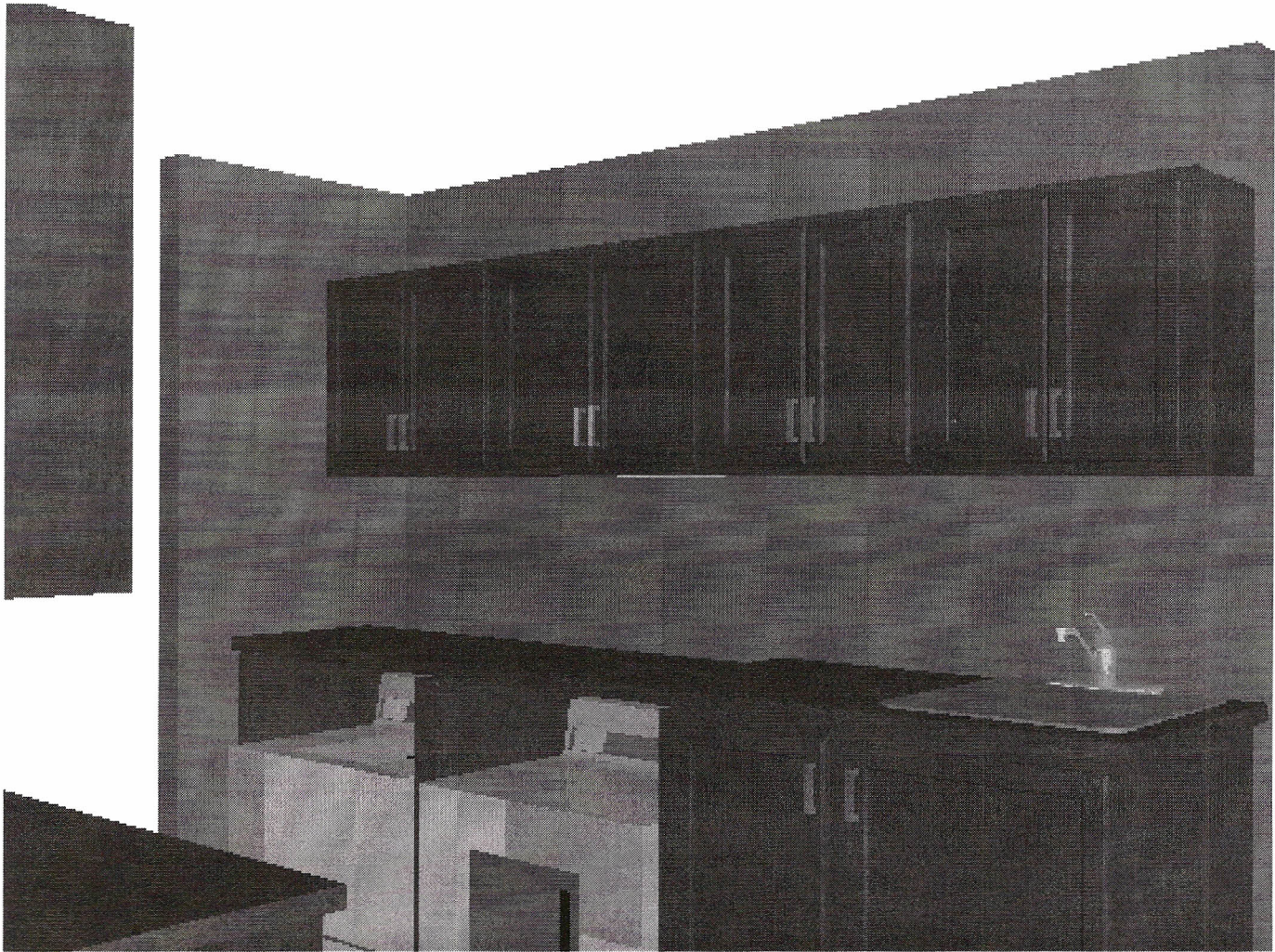
All dimensions size designations given are subject to verification on job site and adjustment to fit job conditions.



This is an original design and must not be released or copied unless applicable fee has been paid or job order placed.

Designed: 8/19/2012  
Printed: 9/20/2012



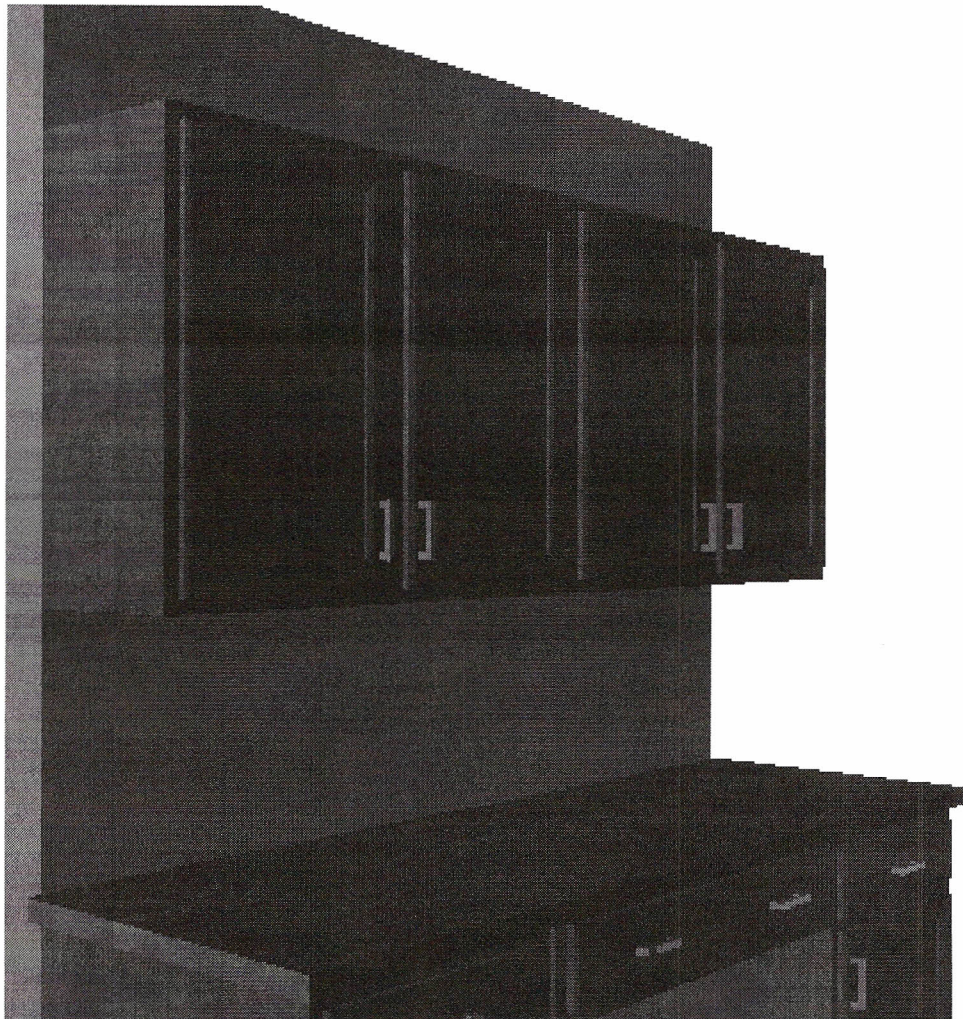


Note: This drawing is an artistic interpretation of the general appearance of the design. It is not meant to be an exact rendition.



Designed: 8/19/2012  
Printed: 9/20/2012





Note: This drawing is an artistic interpretation of the general appearance of the design. It is not meant to be an exact rendition.



Designed: 8/19/2012  
Printed: 9/20/2012